



bases 4

# DUNE 4 low 820



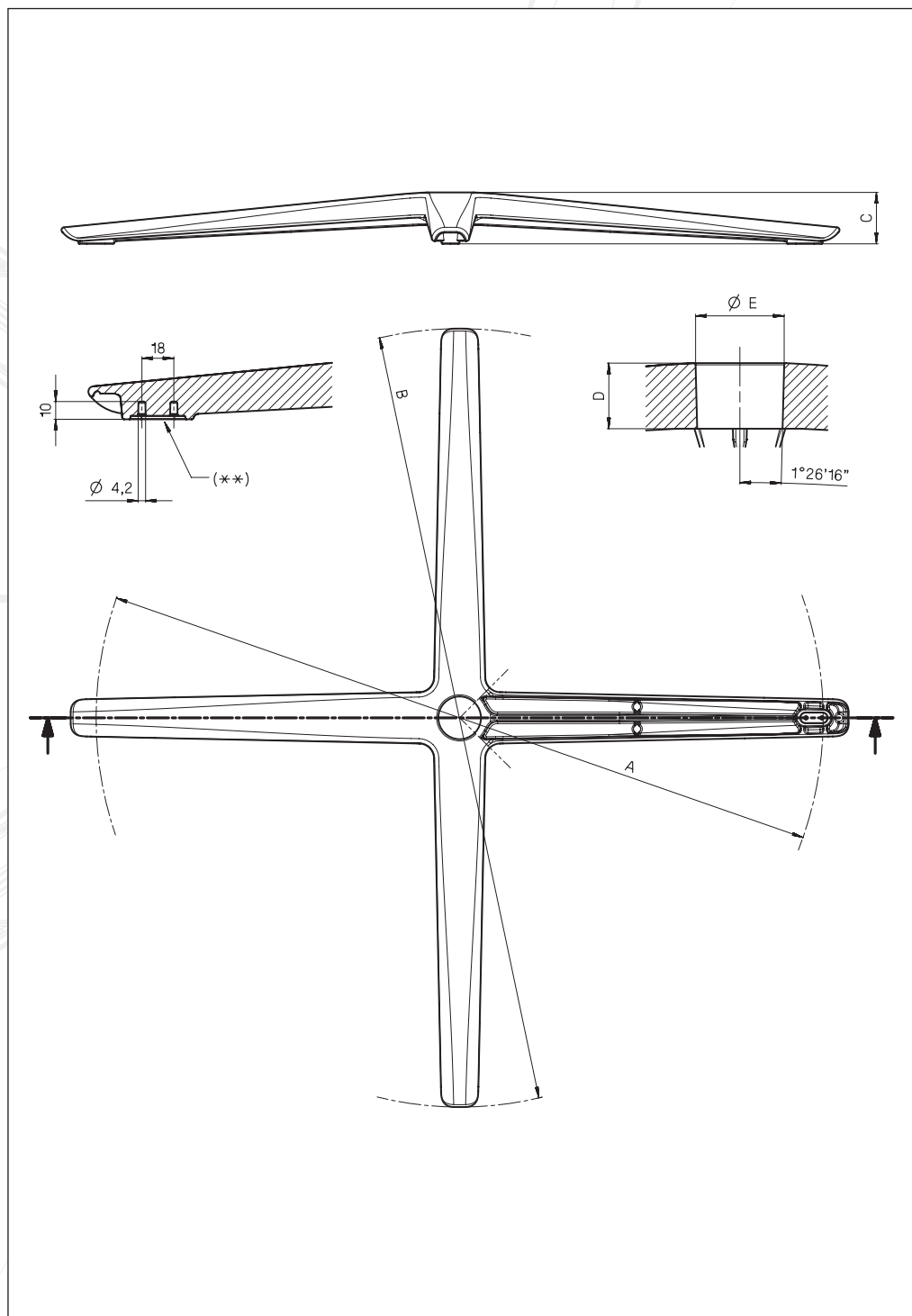
Article	DUNE 4 low 820	DUNE 4 low 820
Finish	Polished	Black
Part No	40X916	40X917
Pallet Qty	75	75

# DUNE 4 low 820



## DUNE 4 low 820

A	820 mm 32,28 inc.
B	877,4 mm 34,54 inc.
C	58 mm 2,28 inc.
D	37 mm 1,46 inc.
ØE	50 mm (*) 1,97 inc.



(\*) disponibile anche cono da 40 mm

(\*\*) disponibile piedino in plastica.

(\*) also available with 40 mm cone

(\*\*) Plastic glides available.